



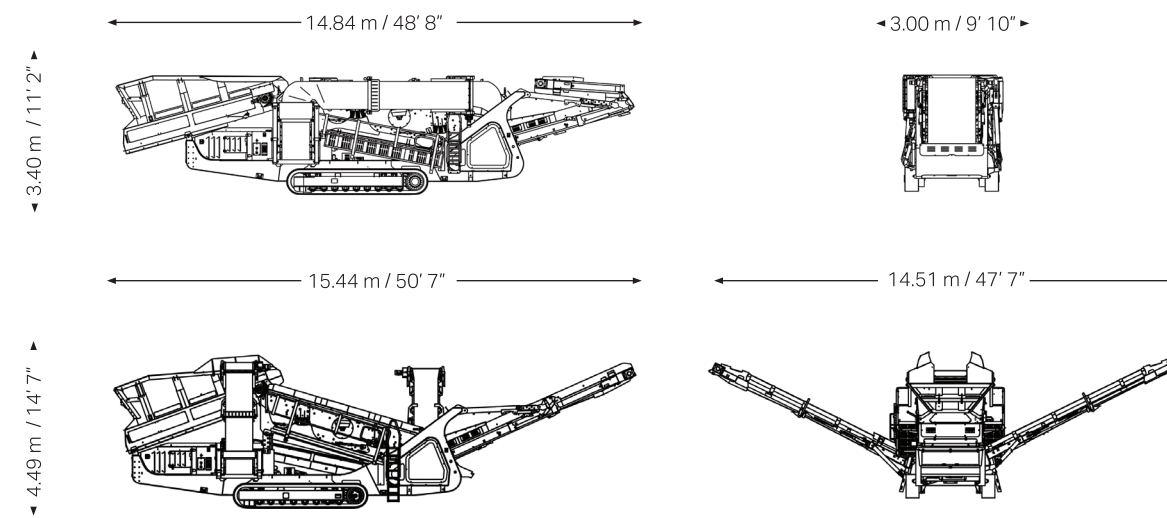
# QE341 SCALPER ENGINEERING IN MOTION

## TECHNICAL SPECIFICATIONS

| KEY SPECIFICATIONS    | DATA                               |
|-----------------------|------------------------------------|
| Screen box            |                                    |
| Type                  | 2 Bearing Heavy Duty, 2 Deck       |
| Top deck              | 4700 mm x 1446 mm / 15' 5" x 4' 9" |
| Bottom deck           | 4200 mm x 1426 mm / 13' 9" x 4' 8" |
| Variable screen angle | 11° - 17°                          |
| Feeder                | Steel Apron                        |
| Conveyor belt width   |                                    |
| Oversize              | 1400 mm / 55"                      |
| Side (midsize)        | 800 mm / 32"                       |
| Side (fines)          | 800 mm / 32"                       |

| KEY SPECIFICATIONS        | DATA  |
|---------------------------|---|
| Conveyor discharge height |   |
| Oversize                  | 4000 mm / 13' 1"  |
| Side (midsize)            | 4059 mm / 13' 4"  |
| Side (fines)              | 4238 mm / 13' 11"                                       |
| Power pack                |   |
| Engine type               | CAT C4.4 74.5 kW / 100 hp or<br>CAT C4.4 83 kW / 111 hp |
| Diesel tank size          | 230 litres / 61 USG                                     |
| Hydraulic tank size       | 460 litres / 122 USG                                    |

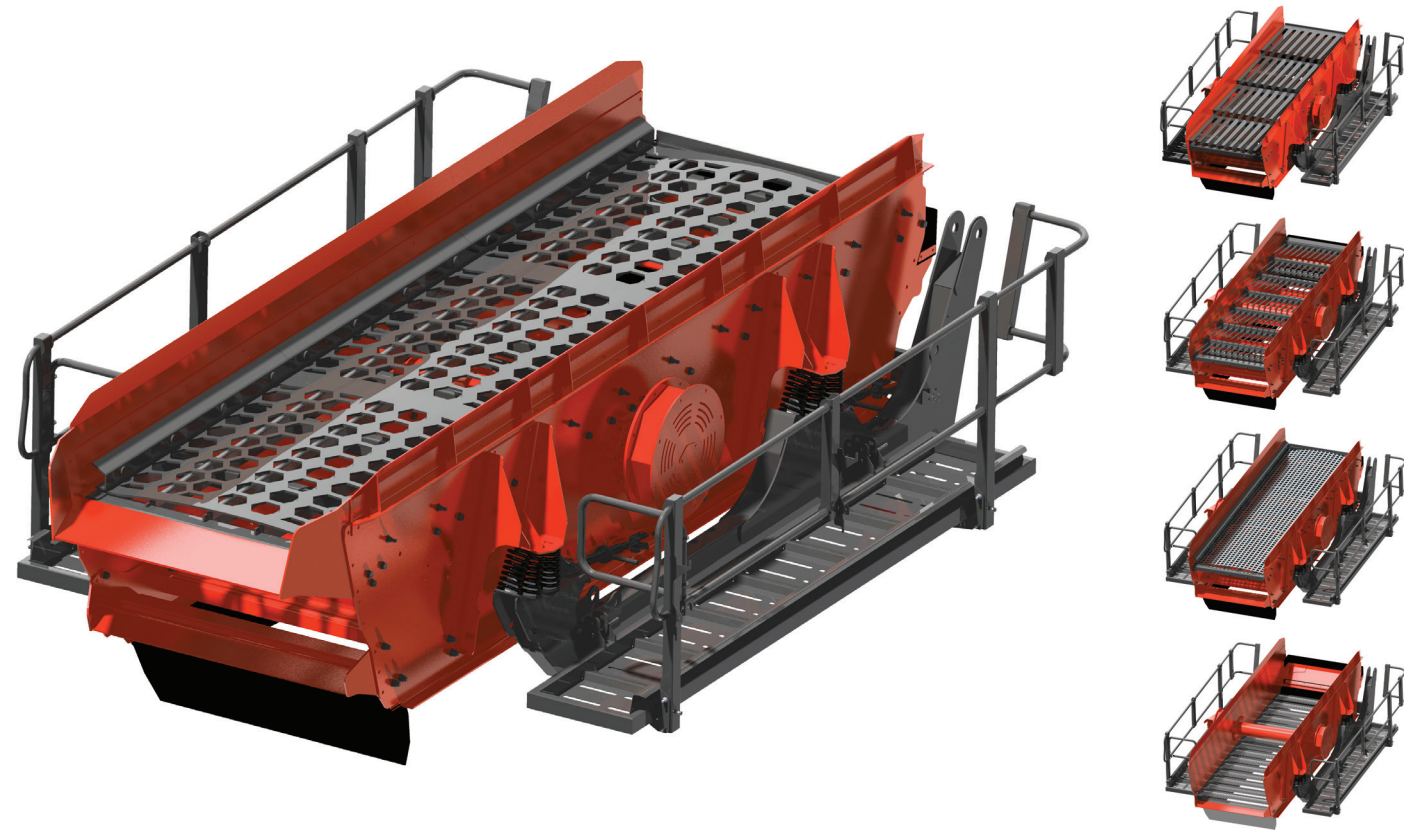
Note. All weights and dimensions are for standard units only



Standard weight 29,770 kg / 65,631 lbs

BE-379 (E) rev © Sandvik Construction 2016 SANDVIK is a registered trademark owned by Sandvik Intellectual Property AB in Sweden and other countries

Ability to configure with punch plate, grizzly fingers, bofar bars, mesh or cascade fingers



CONSTRUCTION.SANDVIK.COM

The material in this brochure is of general application for information and guidance only, and no representation or warranty is made or given by the manufacturer that its products will be suitable for a customer's particular purpose and enquiry should always be made of the manufacturer to ensure such suitability. Whilst every effort has been made in the preparation of this document to ensure its accuracy, the manufacturer assumes no liability resulting from errors or omissions in this document, or from the use or interpretation of the information contained herein. The manufacturer reserves the right to make changes to the information in this brochure and the product design without reservation and without notification to users.



# QE341 SCALPER ENGINEERING IN MOTION

| KEY SPECIFICATIONS   | DATA   |
|----------------------|--|
| Screen type          | 2 Bearing Heavy Duty, 2 Deck                                       |
| Screen box size      | 16' x 5' / 4.7 x 1.45 m  |
| Engine               | C4.4 74.5 kW / 100 hp  |
| Transport dimensions | 14.84 m / 48' 8" (l)<br>3.00 m / 9' 10" (w)<br>3.40 m / 11' 2" (h) |
| Weight               | 29,770 kg / 65,631 lbs   |

## HEAVY DUTY SCALPING

The QE341 represents the latest generation heavy duty, tracked mobile scalping screen.

Based on a sturdy crusher-type chassis, the QE341 features a hydraulically operated heavy duty hopper and double plated apron feeder. The adjustable heavy duty screenbox with high speed and aggressive throw, combined with an extra-wide oversize conveyor to ensure free flow of material, guarantee high productivity.

With a wide choice of screen media available, the QE341 can be configured to match specific customer requirements and is able to cope with a huge range of different, and difficult, materials and applications such as construction waste, landfill mining, quarry overburden, mine dumps, and scalping before a crusher or screening aggregates after a crusher.

## STANDARD FEATURES INCLUDE:

- Heavy duty screen box with uniquely high throw and aggressive action
- Massive stockpiling capability through integrated hydraulic conveyors
- Hydraulic folding maintenance platforms for ease of maintenance
- Compatible for 2-way or 3-way split configurations
- Hydraulic oil cooler fitted as standard
- Fully compliant with all current safety regulations
- Designed for efficient fuel economy and low operating costs

- ① **Feed hopper**
- Large volume wear resistant feed hopper
  - One-piece hopper design for quick set-up time
  - Optional hopper extensions available
  - Split rear hopper door which can be lowered for direct feeding with crusher
  - Heavy duty apron chain feeder fitted as standard

- ② **Screen box**
- Heavy duty 16' x 5' / 4.7 x 1.45 m screen box with uniquely high throw and aggressive action ensures maximum productivity
  - Screen box can be raised for bottom deck change enabling ease of maintenance
  - Hydraulically folding maintenance platforms for ease of access for maintenance

- ③ **Mid size conveyor**
- Discharge height 4059 mm / 13' 4" enabling massive stockpiling capacity
  - 800 mm / 32" wide belt
  - Hydraulically angle adjustable

- ④ **Oversize conveyor**
- Discharge height 4000 mm / 13' 1" enabling massive stockpiling capacity
  - 1400 mm / 55" wide belt to optimise material flow and increase capacity
  - Hydraulically angle adjustable

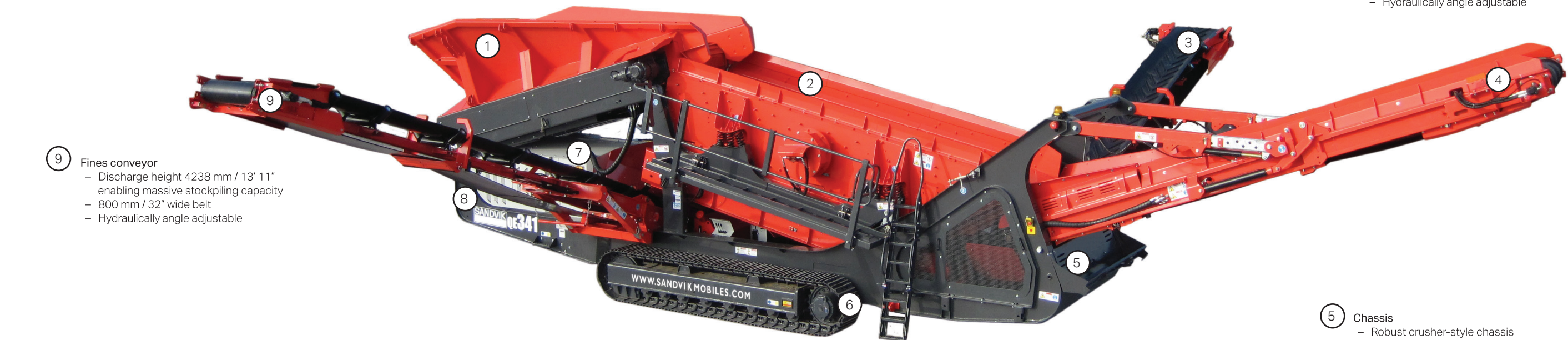
- ⑨ **Fines conveyor**
- Discharge height 4238 mm / 13' 11" enabling massive stockpiling capacity
  - 800 mm / 32" wide belt
  - Hydraulically angle adjustable

- ⑧ **Power pack**
- Emissions compliant 74.5 kW / 100 hp engine
  - Easy access for service and maintenance
  - Steel diesel tank with twin filler enables filling from either side of the machine

- ⑦ **Control system**
- User friendly colour coded control panel
  - One-touch sequential auto Start/Stop facility for easy operation
  - Hydraulic oil cooler fitted as standard
  - Temperature controlled for more efficient use of power

- ⑥ **Tracks**
- 400 mm / 16" wide two speed tracks driven by radio or umbilical control
  - Radio remote control tracking fitted as standard

- ⑤ **Chassis**
- Robust crusher-style chassis
  - Large clearance from oversize belt to chassis for oversize material
  - Compatible for 2 way and 3 way split configurations
  - Ergonomically designed incline ladders for easy and safe access onto walkways
  - Optional jacking legs



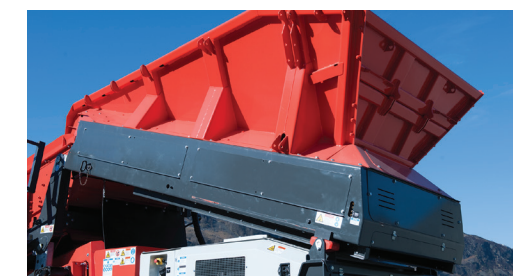
## STANDARD FEATURES



Colour coded control panel for ease of operation



Hydraulically folding maintenance platforms



One piece hopper for quick and easy set-up



Remote control for ease of mobility



Screen box jack up facility allows easy access



Split rear hopper door for direct feeding